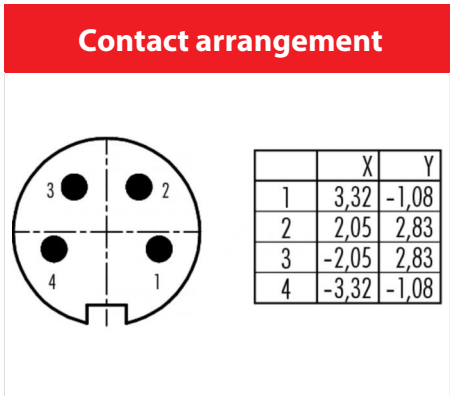
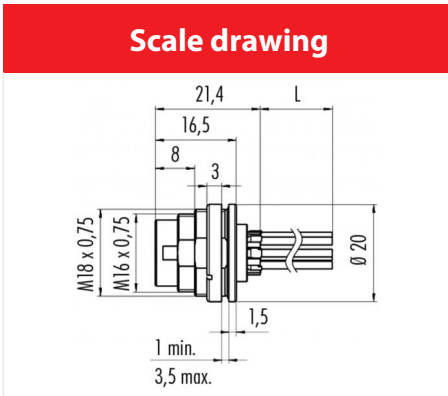


Product description	Contacts: 4, male panel mount connector, front fastened, with single wires
Area	M16 IP67 Series 423/ 723/ 425
Order number	09 0111 782 04



You can find the assembly instructions on the next page.

Technical data

General values

Connector design	Flanschstecker
Connector locking system	schraub
Termination	Litzen
Wire gauge (mm)	-
Wire gauge (AWG)	22
Upper limit temperature	85 °C
Lower limit temperature	-30 °C

Cable data

Approval 1	UL
------------	----

Electrical values

Rated voltage	300 V
Rated impulse voltage	1500 V
Pollution degree	1
Overvoltage category	I
Insulating material group	II
Rated current (40 °C)	5 A
Volume resistivity	≤ 5 mΩ
EMC compliance	nicht schirmbar
Degree of protection	IP67
Mechanical operation	> 500 Steckzyklen

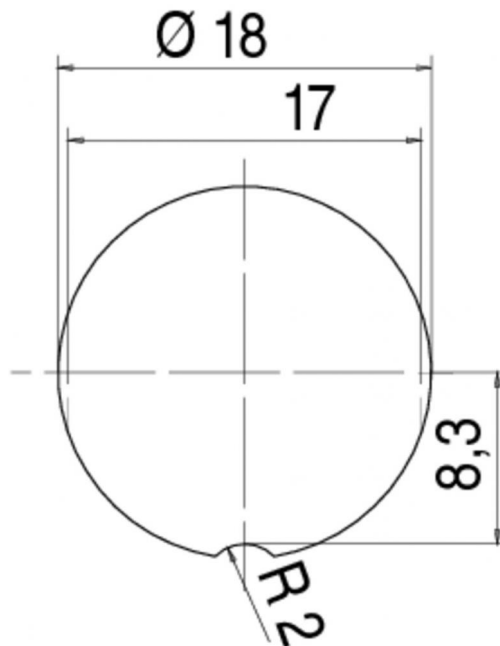
Material

Contact material	CuSn (bronze)
Contact plating	Ag (Silber)
Contact body material	PBT (UL 94 V-0)

Product description **Contacts: 4, male panel mount connector, front fastened, with single wires**

Area **M16 IP67 Series 423/ 723/ 425**
Order number **09 0111 782 04**

Assembly instructions / Panel cut-out



Product description	Contacts: 4, male panel mount connector, front fastened, with single wires
Area	M16 IP67 Series 423/ 723/ 425
Order number	09 0111 782 04

Sicherheitshinweise

The connector must not be connected or separated under load. Non-observance and incorrect use can result in personal injury.

The connectors are designed for use in plant, control system and electrical equipment. The end user is responsible for checking whether the connectors are suitable for use in other applications.

Connectors with degree of protection IP 67 and IP 68 are not suitable for use under water. When used outdoors, the connectors must be separately protected against corrosion. For further information about IP degrees of protection refer to 'Technical support' in the Download Centre.