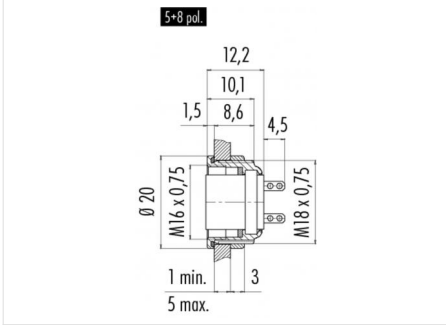


Product description	<b>Contacts: 5 Stereo, female panel mount connector, solder, 2 - 8 contacts, silver plated contacts, UL approval</b>
Area	<b>M16 IP67 Series 423/ 723/ 425</b>
Order number	<b>09 0120 00 05</b>

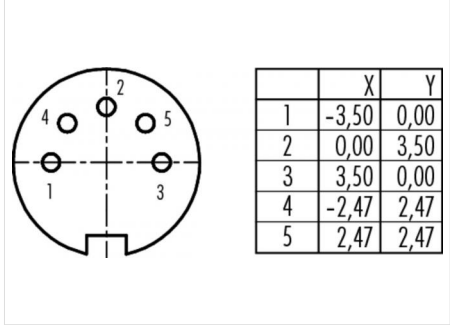
**Illustration**



**Scale drawing**



**Contact arrangement**



You can find the assembly instructions on the next page.

**Technical data**

**General values**

Connector design	Flanschdose
Connector locking system	schraub
Termination	löten
Wire gauge (mm)	0,75 mm <sup>2</sup>
Wire gauge (AWG)	20
Upper limit temperature	95 °C
Lower limit temperature	-40 °C

**Cable data**

Approval 1	UL
------------	----

**Electrical values**

Rated voltage	60 V
Rated impulse voltage	500 V
Pollution degree	1
Overvoltage category	I
Insulating material group	III
Rated current (40 °C)	6 A
Volume resistivity	≤ 5 mΩ
EMC compliance	nicht schirmbar
Degree of protection	IP67
Mechanical operation	> 500 Steckzyklen

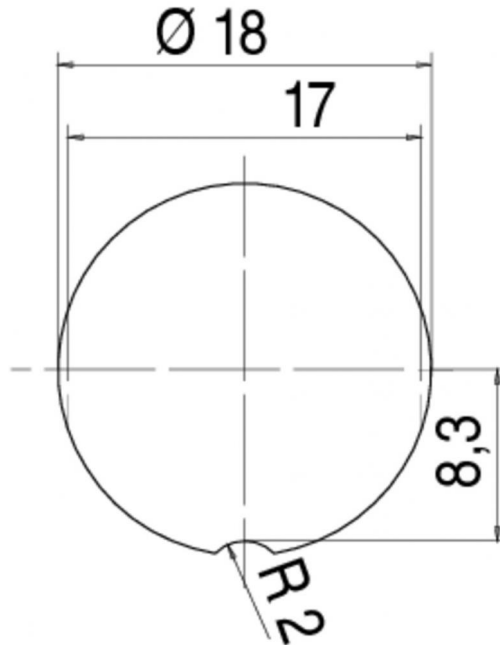
**Material**

Contact material	CuSn (bronze)
Contact plating	Ag (Silber)
Contact body material	PBT (UL 94 V-0)

Product description      **Contacts: 5 Stereo, female panel mount connector, solder, 2 - 8 contacts, silver plated contacts, UL approval**

Area      **M16 IP67 Series 423/ 723/ 425**  
Order number      **09 0120 00 05**

Assembly instructions / Panel cut-out



Product description **Contacts: 5 Stereo, female panel mount connector, solder, 2 - 8 contacts, silver plated contacts, UL approval**

Area **M16 IP67 Series 423/ 723/ 425**  
Order number **09 0120 00 05**

## Sicherheitshinweise

The connectors are designed for use in plant, control system and electrical equipment. The end user is responsible for checking whether the connectors are suitable for use in other applications. Connectors with degree of protection IP 67 and IP 68 are not suitable for use under water. When used outdoors, the connectors must be separately protected against corrosion. For further information about IP degrees of protection refer to 'Technical support' in the Download Centre.