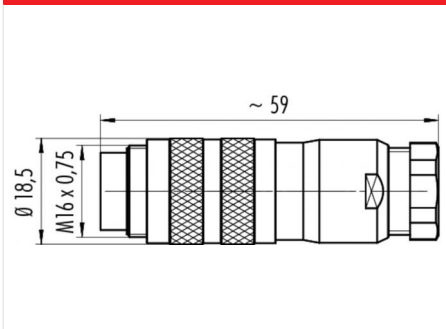


Product description	<b>Contacts: 3 DIN, cable plug connector with cable clamp, screw terminal connection, shieldable, cable outlet 6 - 8 mm, silver plated contacts</b>
Area	<b>M16 IP67 Series 423</b>
Order number	<b>99 5605 210 03</b>

**Illustration**



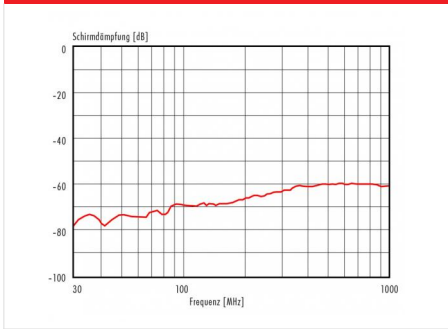
**Scale drawing**



**Contact arrangement**

	X	Y
1	3,50	0,00
2	0,00	3,50
3	-3,50	0,00

**Attenuation characteristics**



**You can find the component part drawing and assembly instructions on the next page.**

**Technical data**

**General values**

Connector design	Kabelstecker
Connector locking system	schraub
Termination	schraubklemm
Wire gauge (mm)	0,25 - 1,5 mm <sup>2</sup>
Wire gauge (AWG)	24-16
Cable outlet	6,0 - 8,0 mm
Upper limit temperature	95 °C
Lower limit temperature	-30 °C

**Cable data**

Approval 1	UL
------------	----

**Electrical values**

Rated voltage	250 V
Rated impulse voltage	1500 V
Pollution degree	1
Overvoltage category	I
Insulating material group	III
Rated current (40 °C)	7 A
Volume resistivity	≤ 5 mΩ
EMC compliance	schirmbar
Degree of protection	IP67
Mechanical operation	> 500 Steckzyklen

**Material**

Contact material	CuZn (brass)
Contact plating	Ag (Silber)
Contact body material	PBT (UL 94 V-0)

Product description

**Contacts: 3 DIN, cable plug connector with cable clamp, screw terminal connection, shieldable, cable outlet 6 - 8 mm, silver plated contacts**

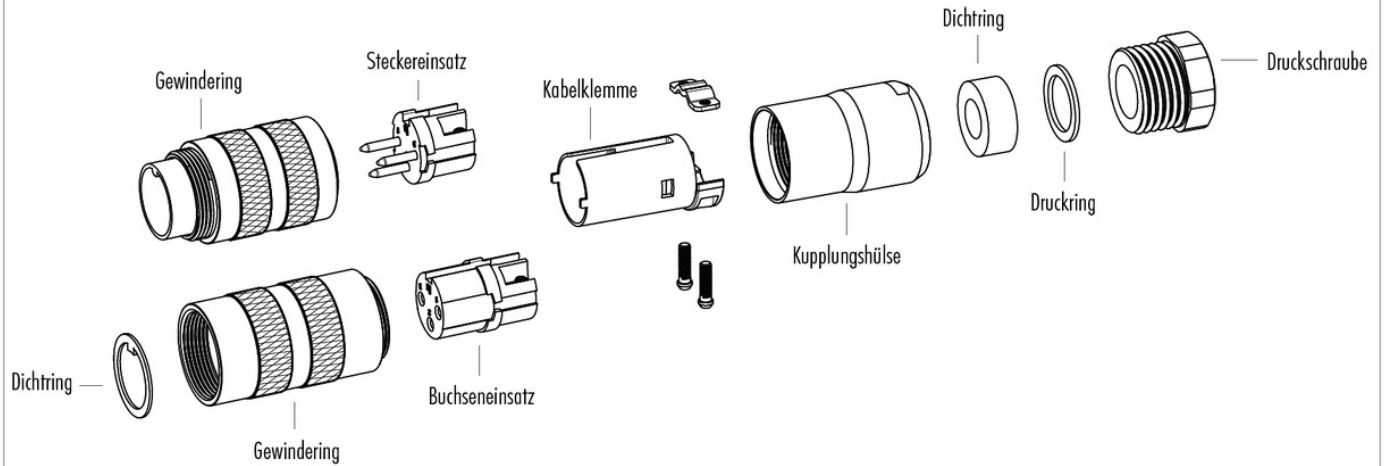
Area

**M16 IP67 Series 423**

Order number

**99 5605 210 03**

Component part drawing

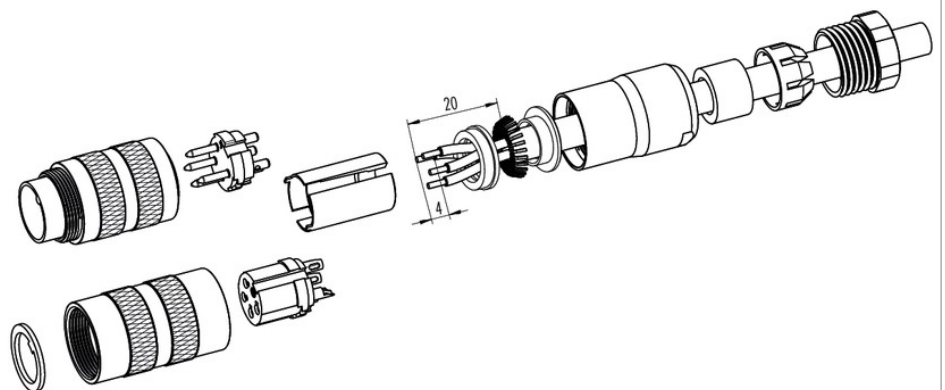


Assembly instructions / Panel cut-out

**Gerade Version**

(Ausführung mit Schirmklemmring)

1. Druckschraube, Klemmkorb, Dichtung, Distanzhülse und ersten Schirmklemmring auffädeln.
2. Litzen abisolieren, Schirm aufweiten und zweiten Schirmklemmring auffädeln.
3. Litzen anlöten, Distanzhülse montieren, die beiden Klemmringe mit dem Schirm zusammenschieben und überstehenden Schirm abschneiden.
4. Übrige Teile gemäß Darstellung montieren.



Product description	<b>Contacts: 3 DIN, cable plug connector with cable clamp, screw terminal connection, shieldable, cable outlet 6 - 8 mm, silver plated contacts</b>
Area	<b>M16 IP67 Series 423</b>
Order number	<b>99 5605 210 03</b>

## Sicherheitshinweise

The connector must not be connected or separated under load. Non-observance and incorrect use can result in personal injury.

The connectors are designed for use in plant, control system and electrical equipment. The end user is responsible for checking whether the connectors are suitable for use in other applications.

Connectors used in electrical circuits containing hazardous life parts must only be assembled and used by or under the supervision of persons with the requisite electrotechnical training, taking the applicable regulations and standards into account.

Connectors with degree of protection IP 67 and IP 68 are not suitable for use under water. When used outdoors, the connectors must be separately protected against corrosion. For further information about IP degrees of protection refer to 'Technical support' in the Download Centre.

The connector is not suitable for mains voltages. Please observe the pollution degrees and the overvoltage category. For further information refer to 'Technical support' in the Download Centre.

To lock the cable connector to the equipment connector, the threaded ring is tightened until it is 'finger-tight' (approx. 50 cNm).