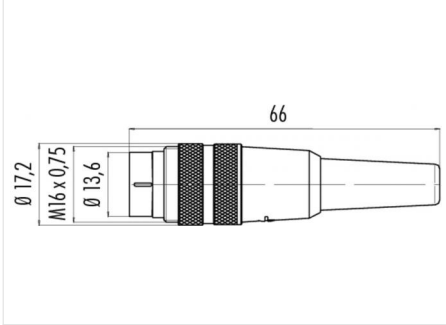


Product description	<b>Contacts: 2, cable plug connector, cable outlet 3 - 6 mm, silver plated contacts</b>
Area	<b>M16 IP40 Series 680</b>
Order number	<b>09 0301 00 02</b>

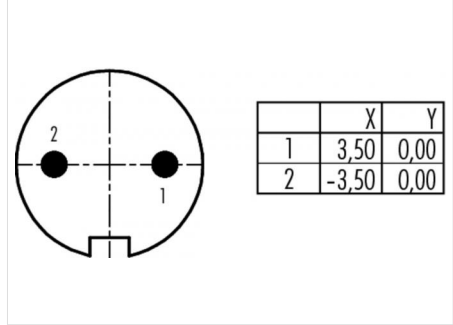
**Illustration**



**Scale drawing**



**Contact arrangement**



You can find the component part drawing on the next page.

**Technical data**

**General values**

Connector design	Kabelstecker
Connector locking system	schraub
Termination	löten
Wire gauge (mm)	0,75 mm <sup>2</sup>
Wire gauge (AWG)	20
Cable outlet	4,0 - 6,0 mm
Upper limit temperature	85 °C
Lower limit temperature	-40 °C

**Electrical values**

Rated voltage	250 V
Rated impulse voltage	1500 V
Pollution degree	1
Overvoltage category	I
Insulating material group	III
Rated current (40 °C)	7 A
Volume resistivity	≤ 5 mΩ
EMC compliance	nicht schirmbar
Degree of protection	IP40
Mechanical operation	> 500 Steckzyklen

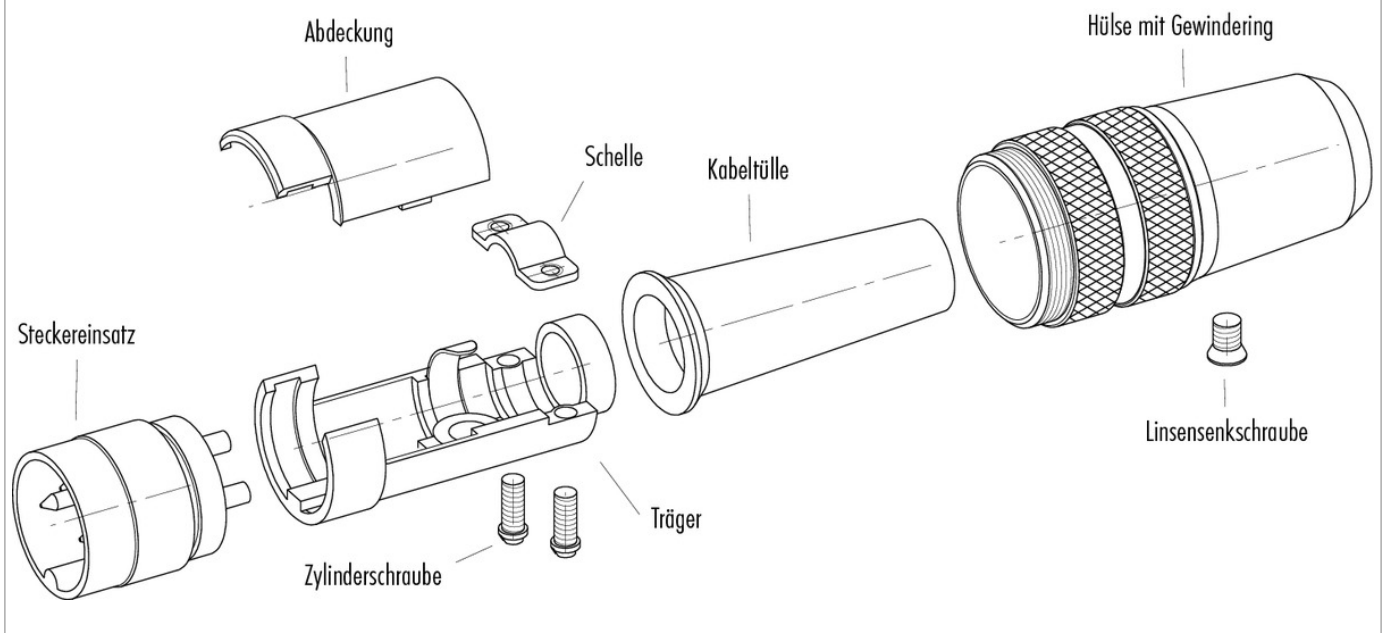
**Material**

Contact material	CuZn (brass)
Contact plating	Ag (Silber)
Contact body material	PBT (UL 94 V-0)

Product description **Contacts: 2, cable plug connector, cable outlet 3 - 6 mm, silver plated contacts**

Area **M16 IP40 Series 680**  
Order number **09 0301 00 02**

Component part drawing



Product description **Contacts: 2, cable plug connector, cable outlet 3 - 6 mm, silver plated contacts**

Area **M16 IP40 Series 680**  
Order number **09 0301 00 02**

## Sicherheitshinweise

The connector must not be connected or separated under load. Non-observance and incorrect use can result in personal injury.

The connectors are designed for use in plant, control system and electrical equipment. The end user is responsible for checking whether the connectors are suitable for use in other applications.

Connectors used in electrical circuits containing hazardous life parts must only be assembled and used by or under the supervision of persons with the requisite electrotechnical training, taking the applicable regulations and standards into account.

The connector is not suitable for mains voltages. Please observe the pollution degrees and the overvoltage category. For further information refer to 'Technical support' in the Download Centre.

To lock the cable connector to the equipment connector, the threaded ring is tightened until it is 'finger-tight' (approx. 50 cNm).