

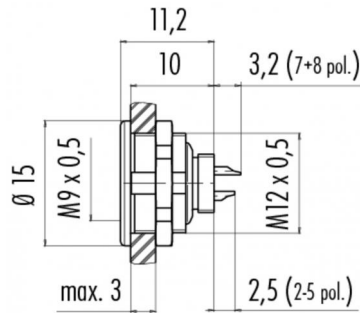
Product description **Contacts: 5, female panel mount connector, solder**

Area **M9 IP67 Series 712/702**
Order number **09 0416 00 05**

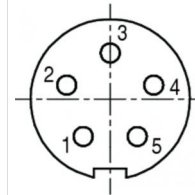
Illustration



Scale drawing



Contact arrangement



	X	Y
1	-1,00	-1,37
2	-1,61	0,52
3	0,00	1,70
4	1,61	0,52
5	1,00	-1,37

You can find the assembly instructions on the next page.

Technical data

General values

Connector design	Flanschdose
Connector locking system	schraub
Termination	löten
Wire gauge (mm)	0,25 mm ²
Wire gauge (AWG)	24
Upper limit temperature	85 °C
Lower limit temperature	-40 °C

Electrical values

Rated voltage	125 V
Rated impulse voltage	1500 V
Pollution degree	1
Overvoltage category	II
Insulating material group	III
Rated current (40 °C)	3 A
Volume resistivity	≤ 3 mΩ
EMC compliance	schirmbar
Degree of protection	IP67
Mechanical operation	> 500 Steckzyklen

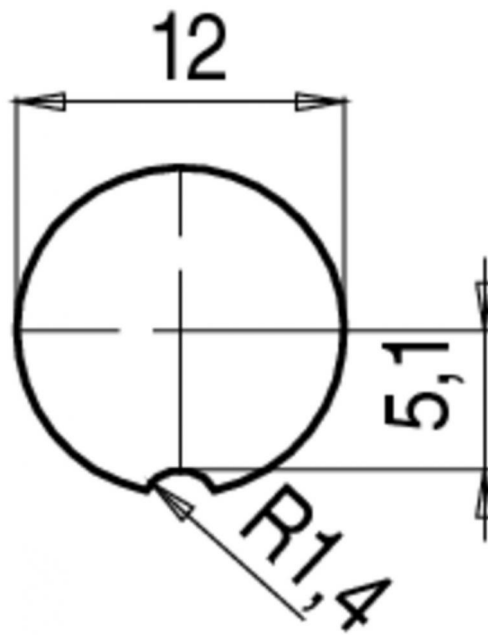
Material

Contact material	CuSn (Bronze)
Contact plating	Au (Gold)
Contact body material	PA (UL 94 V-0)

Product description **Contacts: 5, female panel mount connector, solder**

Area **M9 IP67 Series 712/702**
Order number **09 0416 00 05**

Assembly instructions / Panel cut-out



Product description **Contacts: 5, female panel mount connector, solder**

Area **M9 IP67 Series 712/702**
Order number **09 0416 00 05**

Sicherheitshinweise

The connector must not be connected or separated under load. Non-observance and incorrect use can result in personal injury.

The connectors are designed for use in plant, control system and electrical equipment. The end user is responsible for checking whether the connectors are suitable for use in other applications.

Connectors with degree of protection IP 67 and IP 68 are not suitable for use under water. When used outdoors, the connectors must be separately protected against corrosion. For further information about IP degrees of protection refer to 'Technical support' in the Download Centre.