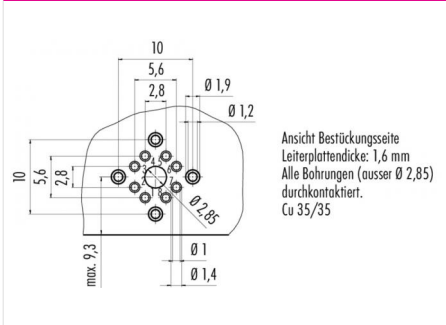


Product description	Contacts: 8, female panel mount connector with X-coding, dip-solder, angled, contact carrier: fix
Area	M12-D, M12-X Series 825/876 X-coding
Order number	99 3782 213 08

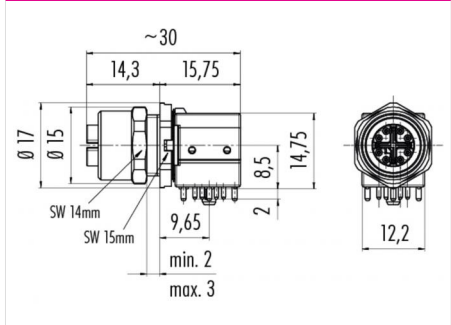
Illustration



Conductor layout



Scale drawing



Contact arrangement

	X	Y
1	-1,40	-2,80
2	-2,80	-1,40
3	-2,80	1,40
4	-1,40	2,80
5	1,40	2,80
6	2,80	1,40
7	2,80	-1,40
8	1,40	-2,80

- 1 weiß-orange / white-orange
- 2 orange / orange
- 3 weiß-grün / white-green
- 4 grün / green
- 5 weiß-braun / white-brown
- 6 braun / brown
- 7 weiß-blau / white-blue
- 8 blau / blue

Schirm auf Gehäuse
shield on housing

You can find the assembly instructions on the next page.

Technical data

General values

Connector design	female panel mount connector
Connector locking system	bolted
Termination	dip-solder
Upper limit temperature	85 °C
Lower limit temperature	-40 °C

Cable data

Approval 1	UL
------------	----

Electrical values

Rated current (40 °C)	0,5 A
Rated voltage	50V AC, 60V DC V
Pollution degree	3
Overvoltage category	II
Insulating material group	III
Volume resistivity	≤ 15 mΩ
Insulation resistance	>10^8Ω
EMC compliance	shielded
Degree of protection	IP67
Mechanical operation	> 100 Mating cycles

Material

Contact material	CuSn (bronze)
Contact plating	Au (gold)
Contact body material	PA
Housing material	Zinc die-cast nickel-plated

Product description

Contacts: 8, female panel mount connector with X-coding, dip-solder, angled, contact carrier: fix

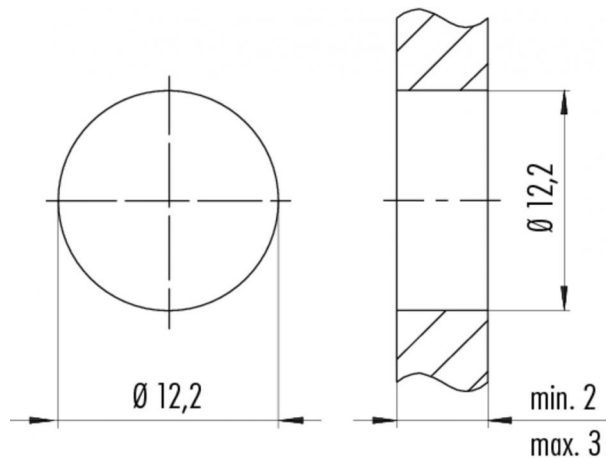
Area

M12-D, M12-X Series 825/876 X-coding

Order number

99 3782 213 08

Assembly instructions / Panel cut-out



Anzugsdrehmoment/Tightening moment
M12 x 1 6,25 Nm

Product description

Contacts: 8, female panel mount connector with X-coding, dip-solder, angled, contact carrier: fix

Area

M12-D, M12-X Series 825/876 X-coding

Order number

99 3782 213 08

Security notices

The connectors are designed for use in plant, control system and electrical equipment. The end user is responsible for checking whether the connectors are suitable for use in other applications.

Connectors with degree of protection IP 67 and IP 68 are not suitable for use under water. When used outdoors, the connectors must be separately protected against corrosion. For further information about IP degrees of protection refer to 'Technical support' in the Download Centre.