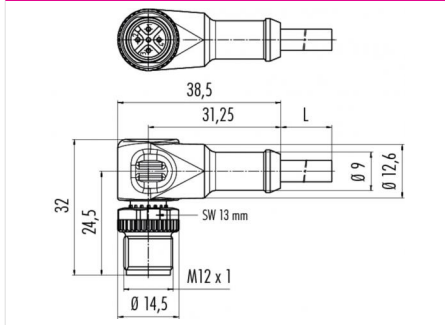


Product description	Contacts: 5, cable length 5m, cable: 5 x 0,34 mm², male angled connector moulded, PVC
Area	M12-B Series 766
Order number	77 4427 0000 20005-0500

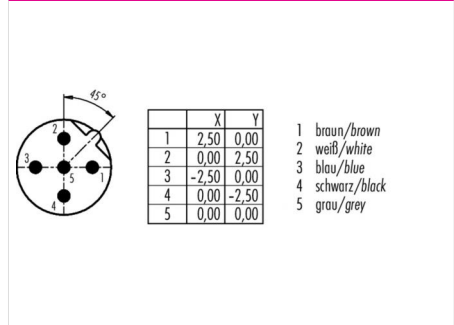
Illustration



Scale drawing



Contact arrangement



Technical data

General values

Connector design	male angled connector
Connector locking system	bolted
Termination	moulded on cable
Wire gauge (mm)	0.34 mm ²
Wire gauge (AWG)	22
Upper limit temperature	90 °C
Lower limit temperature	-25 °C

Cable data

Sheath material	PVC
Single-lead insulation	PVC
Single-lead structure	42 x 0,1
Cable diameter	5.7
Conductor resistance	57 Ω/Km
Temperature range, moving cable, °C from	-5
Temperature range, moving cable, °C to	70
Temperature range, fixed cable, °C from	-25
Temperature range, fixed cable, °C to	70
Bending radius, fixed cable	28 mm
Bending radius, moving cable	45 mm
Approval 1	UL listed

Electrical values

Rated current (40 °C)	4 A
Rated voltage	60 V
Rated impulse voltage	1500 V
Pollution degree	3
Overvoltage category	II
Insulating material group	II
Volume resistivity	≤ 3 mΩ
Insulation resistance	>10 ⁸ Ω
EMC compliance	not shielded
Degree of protection	IP68
Mechanical operation	> 100 Mating cycles

Material

Contact material	CuZn (brass)
Contact plating	Au (gold)
Contact body material	PUR
Housing material	PUR

Product description	Contacts: 5, cable length 5m, cable: 5 x 0,34 mm², male angled connector moulded, PVC
Area	M12-B Series 766
Order number	77 4427 0000 20005-0500

Security notices

The connectors are designed for use in plant, control system and electrical equipment. The end user is responsible for checking whether the connectors are suitable for use in other applications.

Connectors with degree of protection IP 67 and IP 68 are not suitable for use under water. When used outdoors, the connectors must be separately protected against corrosion. For further information about IP degrees of protection refer to 'Technical support' in the Download Centre.

To lock the cable connector to the equipment connector, the threaded ring is tightened until it is 'finger-tight' (approx. 50 cNm).