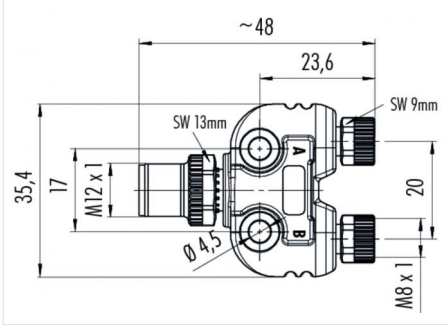


Product description	Contacts: 4/3, Double distributor, male connector M12x1 - 2 female connectors M8x1, with fastening bores
Area	Connecting cords Series 765
Order number	79 5232 90 04

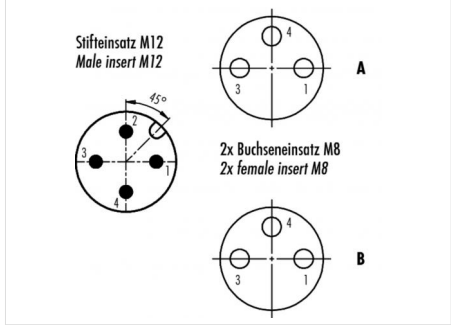
Illustration



Scale drawing



Contact arrangement



You can find the assembly instructions on the next page.

Technical data

General values

Connector design	double distributor box
Connector locking system	bolted
Termination	plugable
Upper limit temperature	80 °C
Lower limit temperature	-25 °C

Cable data

Approval 1	UL listed
------------	-----------

Electrical values

Rated current (40 °C)	4 A
Rated voltage	30 V
Rated impulse voltage	800 V
Pollution degree	3
Overvoltage category	II
Insulating material group	II
Volume resistivity	≤ 3 mΩ
EMC compliance	not shielded
Degree of protection	IP68
Mechanical operation	> 100 Mating cycles

Material

Contact material	Pin: CuZn (brass), Socket: CuSn (bronze)
Contact plating	Au (gold)
Contact body material	PUR
Housing material	PUR

Product description

Contacts: 4/3, Double distributor, male connector M12x1 - 2 female connectors M8x1, with fastening bores

Area

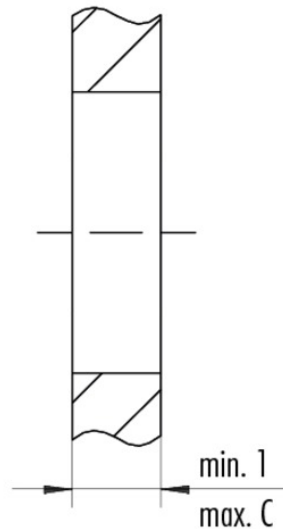
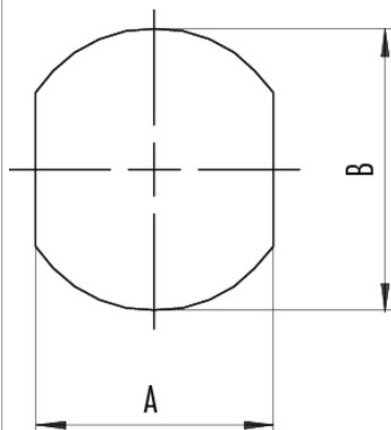
Connecting cords Series 765

Order number

79 5232 90 04

Assembly instructions / Panel cut-out

Lead-through for control cabinet with bore hole



	A	B	C
M8	13,5	16,1	12
M12	18,2	20,1	9

Product description	Contacts: 4/3, Double distributor, male connector M12x1 - 2 female connectors M8x1, with fastening bores
Area	Connecting cords Series 765
Order number	79 5232 90 04

Security notices

The connectors are designed for use in plant, control system and electrical equipment. The end user is responsible for checking whether the connectors are suitable for use in other applications.

Connectors with degree of protection IP 67 and IP 68 are not suitable for use under water. When used outdoors, the connectors must be separately protected against corrosion. For further information about IP degrees of protection refer to 'Technical support' in the Download Centre.

To lock the cable connector to the equipment connector, the threaded ring is tightened until it is 'finger-tight' (approx. 50 cNm).