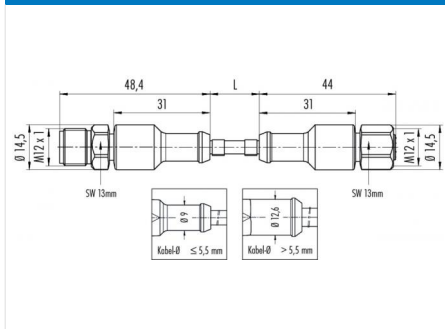


| | |
|---------------------|--|
| Product description | M12-A connecting cord for food and beverage industry, Contacts: 8, not shielded, moulded on cable, IP69K, UL listed, Ecolab, M12x1, Standard cable, PVC grey, 8 x 0.25 mm² |
| Area | M12-A series 763 |
| Order number | 77 3730 3729 20908-0200 |

Illustration



Scale drawing



Contact arrangement

| | X | Y | |
|---|-------|-------|---------------|
| 1 | 2,69 | 0,57 | 1 weiß/white |
| 2 | 0,57 | 2,69 | 2 braun/brown |
| 3 | -1,66 | 2,20 | 3 grün/green |
| 4 | -2,75 | 0,19 | 4 gelb/yellow |
| 5 | -1,94 | -1,94 | 5 grau/grey |
| 6 | 0,19 | -2,74 | 6 rosa/pink |
| 7 | 2,20 | -1,65 | 7 blau/blue |
| 8 | 0,00 | 0,00 | 8 rot/red |

Geschirmte Versionen: Schirm auf Gehäuse oder Pin 8
Shielded versions: shield on housing or pin 8

Technical data

General values

| | |
|--------------------------|--|
| Connector design | connecting cord for food and beverage industry |
| Connector locking system | screw |
| Termination | moulded on cable |
| Wire gauge (mm) | 0.25 mm ² |
| Wire gauge (AWG) | 24 |
| Upper limit temperature | 105 °C |
| Lower limit temperature | - 40 °C |
| Customs tariff number | 85444290 |

Electrical values

| | |
|---------------------------|----------------------|
| Rated current (40 °C) | 2 A |
| Rated voltage | 30 V |
| Rated impulse voltage | 800 V |
| Pollution degree | 3 |
| Overvoltage category | II |
| Insulating material group | II |
| Insulation resistance | ≥ 10 ¹⁰ Ω |
| EMC compliance | not shielded |
| Degree of protection | IP69K |
| Mechanical operation | > 100 Mating cycles |

Cable data

| | |
|--|-------------|
| Cable length | 2 m |
| Sheath material | PVC |
| Single-lead insulation | PVC |
| Single-lead structure | 32 x 0,1 mm |
| Cable diameter | 6.0 mm |
| Conductor resistance | <79Ω/Km |
| Temperature range, moving cable, °C from | - 5 °C |
| Temperature range, moving cable, °C to | 105 °C |
| Temperature range, fixed cable, °C from | -40 °C |
| Temperature range, fixed cable, °C to | 105 °C |
| Bending radius, fixed cable | ≥ 5 x Ø |
| Bending radius, moving cable | ≥ 10 x Ø |
| Approval 1 | UL listed |
| Approval 2 | Ecolab |
| UL style 1 | AWM2517 |

Material

| | |
|-----------------------|------------------------------|
| Contact material | CuSn (bronze) / CuZn (brass) |
| Contact plating | Au (gold) |
| Contact body material | PP |
| Housing material | PP |

| | |
|---------------------|--|
| Product description | M12-A connecting cord for food and beverage industry, Contacts: 8, not shielded, moulded on cable, IP69K, UL listed, Ecolab, M12x1, Standard cable, PVC grey, 8 x 0.25 mm² |
| Area | M12-A series 763 |
| Order number | 77 3730 3729 20908-0200 |

Security notices

The connectors are designed for use in plant, control system and electrical equipment. The end user is responsible for checking whether the connectors are suitable for use in other applications.

Connectors with degree of protection IP 67 and IP 68 are not suitable for use under water. When used outdoors, the connectors must be separately protected against corrosion. For further information about IP degrees of protection refer to 'Technical support' in the Download Centre.

To lock the cable connector to the equipment connector, the threaded ring is tightened until it is 'finger-tight' (approx. 50 cNm).