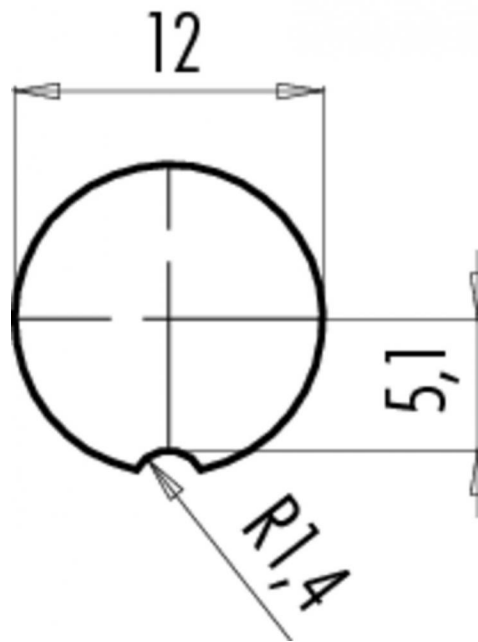


Product description **Contacts: 3, male panel mount connector, dip-solder, screwed from front**

Area **M9 IP67 Series 712/702**
Order number **09 0407 90 03**

Assembly instructions / Panel cut-out



Product description **Contacts: 3, male panel mount connector, dip-solder, screwed from front**

Area **M9 IP67 Series 712/702**
Order number **09 0407 90 03**

Security notices

The connector must not be connected or separated under load. Non-observance and incorrect use can result in personal injury.

The connectors are designed for use in plant, control system and electrical equipment. The end user is responsible for checking whether the connectors are suitable for use in other applications.

Connectors with degree of protection IP 67 and IP 68 are not suitable for use under water. When used outdoors, the connectors must be separately protected against corrosion. For further information about IP degrees of protection refer to 'Technical support' in the Download Centre.