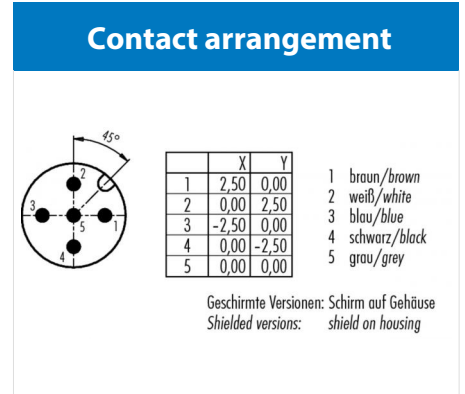
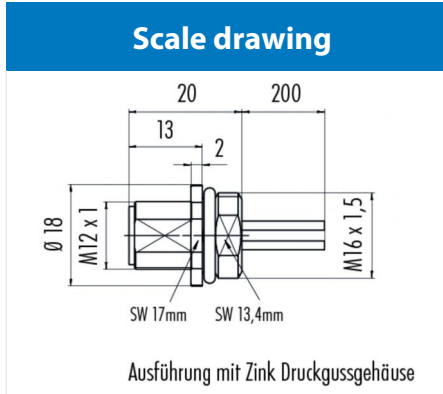


Product description **M12-A male panel mount connector, Contacts: 5, shieldable, single wires, IP68, UL, M16x1.5**

Area **M12-A series 713**
 Order number **76 0231 0011 00605-0200**



You can find the assembly instructions on the next page.

Technical data

General values

Connector design male panel mount connector
 Connector locking system screw
 Termination single wires
 Wire gauge (mm) 0.25 mm²
 Wire gauge (AWG) 24
 Upper limit temperature 85 °C
 Lower limit temperature - 40 °C
 Customs tariff number 85369010

Cable data

Approval 1 UL

Electrical values

Rated current (40 °C) 4 A (3 A UL)
 Rated voltage 60 V
 Rated impulse voltage 1500 V
 Pollution degree 3
 Overvoltage category II
 Insulating material group III
 Insulation resistance > 10⁸ Ω
 EMC compliance shieldable
 Degree of protection IP68
 Mechanical operation > 100 Mating cycles

Material

Contact material CuZn (brass)
 Contact plating Au (gold)
 Contact body material PA
 Housing material Zinc die-cast nickel-plated

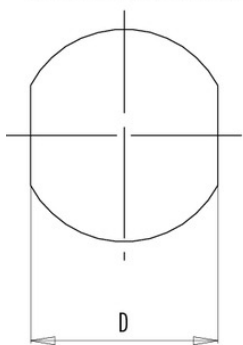
Product description **M12-A male panel mount connector, Contacts: 5, shieldable, single wires, IP68, UL, M16x1.5**

Area **M12-A series 713**
 Order number **76 0231 0011 00605-0200**

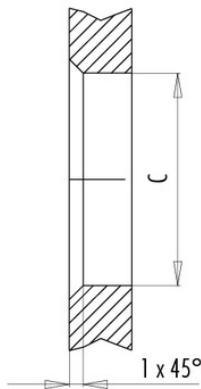
Assembly instructions / Panel cut-out

Mit Fläche als Verdrehschutz
 With flats as anti-rotation device

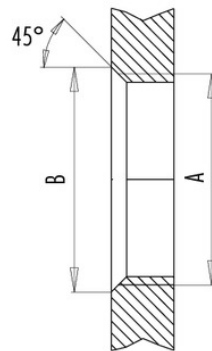
PG 9/M16 x 1,5/M20 x 1,5



Mit Durchgangsbohrung
 With bore hole



Mit Gewinde, einschraubbar
 With thread to screw in



alternativ/alternativ

	A	B	C	D
PG 9	PG 9	16,2	15,3	13,5
PG 13,5	PG 13,5	21,5	20,5	—
M16x1,5	M16x1,5	17,0	16,1	13,5
M20x1,5	M20x1,5	21,0	20,1	—

Anzugsdrehmoment/Tightening torque

Metallgehäuse/Metal housing 6,25 Nm
 Kunststoffgehäuse/Plastic housing 3,75 Nm

Product description	M12-A male panel mount connector, Contacts: 5, shieldable, single wires, IP68, UL, M16x1.5
Area	M12-A series 713
Order number	76 0231 0011 00605-0200

Security notices

The connector must not be connected or separated under load. Non-observance and incorrect use can result in personal injury.

The connectors are designed for use in plant, control system and electrical equipment. The end user is responsible for checking whether the connectors are suitable for use in other applications.

Connectors with degree of protection IP 67 and IP 68 are not suitable for use under water. When used outdoors, the connectors must be separately protected against corrosion. For further information about IP degrees of protection refer to 'Technical support' in the Download Centre.