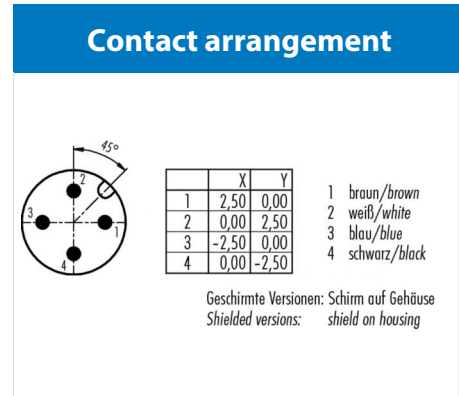
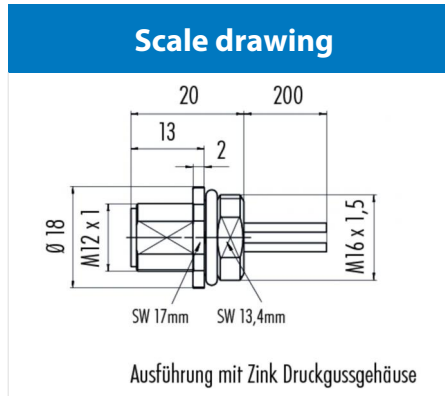


Product description	<b>M12-A male panel mount connector, Contacts: 4, shieldable, single wires, IP68, M16x1.5</b>
Area	<b>M12-A series 713</b>
Order number	<b>76 0231 0011 00004-0200</b>



You can find the assembly instructions on the next page.

## Technical data

### General values

Notice	Please note that, due to the change from the old to the new order number, there may be deviations in the technical specifications. For questions about product details, please use the 'Contact Customer Service' form on the right.
Connector design	male panel mount connector
Connector locking system	screw
Termination	single wires
Wire gauge (mm)	0.25 mm <sup>2</sup>
Wire gauge (AWG)	24
Upper limit temperature	85 °C
Lower limit temperature	-40 °C
Customs tariff number	85369010

### Electrical values

Rated current (40 °C)	4 A
Rated voltage	250 V
Rated impulse voltage	2500 V
Pollution degree	3
Overvoltage category	II
Insulating material group	III
Insulation resistance	> 10 <sup>8</sup> Ω
EMC compliance	shieldable
Degree of protection	IP68
Mechanical operation	> 100 Mating cycles

### Material

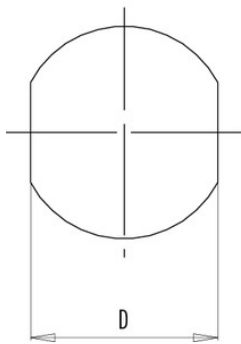
Contact material	CuZn (brass)
Contact plating	Au (gold)
Contact body material	PA
Housing material	Zinc die-cast nickel-plated

Product description **M12-A male panel mount connector, Contacts: 4, shieldable, single wires, IP68, M16x1.5**  
 Area **M12-A series 713**  
 Order number **76 0231 0011 00004-0200**

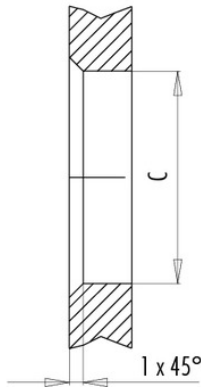
Assembly instructions / Panel cut-out

Mit Fläche als Verdrehschutz  
 With flats as anti-rotation device

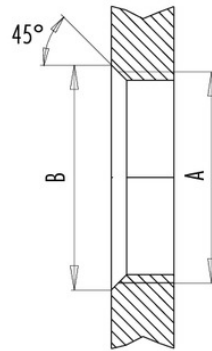
PG 9/M16 x 1,5/M20 x 1,5



Mit Durchgangsbohrung  
 With bore hole



Mit Gewinde, einschraubbar  
 With thread to screw in



alternativ/alternativ

	A	B	C	D
PG 9	PG 9	16,2	15,3	13,5
PG 13,5	PG 13,5	21,5	20,5	—
M16x1,5	M16x1,5	17,0	16,1	13,5
M20x1,5	M20x1,5	21,0	20,1	—

Anzugsdrehmoment/Tightening torque

Metallgehäuse/Metal housing 6,25 Nm  
 Kunststoffgehäuse/Plastic housing 3,75 Nm

Product description	<b>M12-A male panel mount connector, Contacts: 4, shieldable, single wires, IP68, M16x1.5</b>
Area	<b>M12-A series 713</b>
Order number	<b>76 0231 0011 00004-0200</b>

## Security notices

The connector must not be connected or separated under load. Non-observance and incorrect use can result in personal injury.

The connectors are designed for use in plant, control system and electrical equipment. The end user is responsible for checking whether the connectors are suitable for use in other applications.

Connectors with degree of protection IP 67 and IP 68 are not suitable for use under water. When used outdoors, the connectors must be separately protected against corrosion. For further information about IP degrees of protection refer to 'Technical support' in the Download Centre.