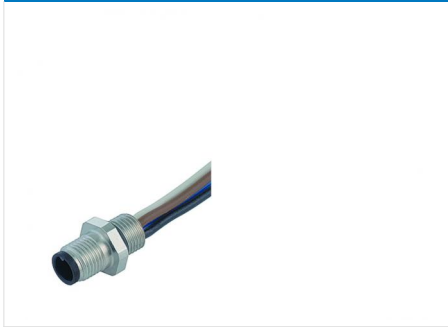
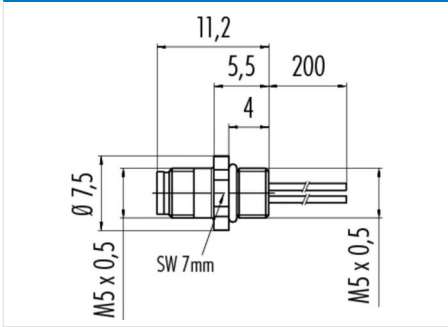


Product description	Contacts: 4, cable: 4 x 0.14 mm², male panel mount connector with single wires
Area	M5 Series 707
Order number	09 3111 00 04

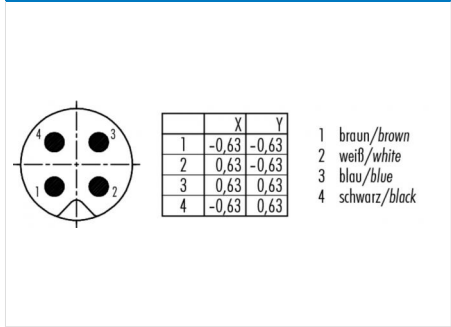
Illustration



Scale drawing



Contact arrangement



Technical data

General values

Connector design	male panel mount connector
Connector locking system	bolted
Termination	single wires
Wire gauge (mm)	0.14 mm ²
Wire gauge (AWG)	(26)
Upper limit temperature	80 °C
Lower limit temperature	-25 °C

Electrical values

Rated current (40 °C)	1 A
Rated voltage	60 V
Rated impulse voltage	800 V
Pollution degree	3
Overvoltage category	II
Insulating material group	I
Volume resistivity	≤ 3 mΩ
Insulation resistance	>10 ⁸ Ω
EMC compliance	not shielded
Degree of protection	IP67
Mechanical operation	> 100 Mating cycles

Material

Contact material	CuZn (brass)
Contact plating	Au (gold)
Contact body material	PA

Product description	Contacts: 4, cable: 4 x 0.14 mm², male panel mount connector with single wires
Area	M5 Series 707
Order number	09 3111 00 04

Security notices

The connectors are designed for use in plant, control system and electrical equipment. The end user is responsible for checking whether the connectors are suitable for use in other applications. Connectors with degree of protection IP 67 and IP 68 are not suitable for use under water. When used outdoors, the connectors must be separately protected against corrosion. For further information about IP degrees of protection refer to 'Technical support' in the Download Centre.