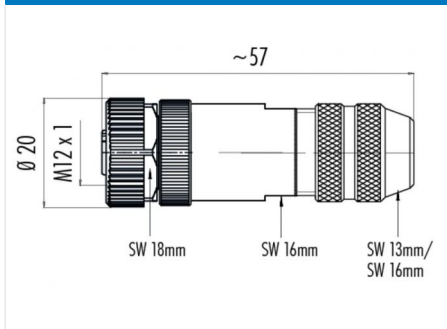


Product description	Contacts: 8, cable outlet: 6-8 mm, female cable connector, shieldable, screw terminal connection, static ring version with die-cast threaded ring, UL approval
Area	M12-A Series 713
Order number	99 1486 812 08

Illustration



Scale drawing



Contact arrangement

	X	Y
1	-2,69	0,57
2	-0,57	2,69
3	1,66	2,20
4	2,75	0,19
5	1,94	-1,94
6	-0,19	-2,75
7	-2,20	-1,66
8	0,00	0,00

You can find the component part drawing and assembly instructions on the next page.

Technical data

General values

Connector design	female cable connector
Connector locking system	bolted
Termination	screw clamp
Wire gauge (mm)	0,50 mm ²
Wire gauge (AWG)	(20)
Cable outlet	6,0 - 8,0 mm
Upper limit temperature	85 °C
Lower limit temperature	-40 °C

Cable data

Approval 1	UL
------------	----

Electrical values

Rated current (40 °C)	1,5 A (2 A UL)
Rated voltage	30 V
Rated impulse voltage	800 V
Pollution degree	3
Overvoltage category	II
Insulating material group	III
Volume resistivity	≤ 3 mΩ
Insulation resistance	>10 ⁸ Ω
EMC compliance	shieldable
Degree of protection	IP67
Mechanical operation	> 100 Mating cycles

Material

Contact material	CuSn (bronze)
Contact plating	Au (gold)
Contact body material	PA
Housing material	Zinc die-cast nickel-plated

Product description

Contacts: 8, cable outlet: 6-8 mm, female cable connector, shieldable, screw terminal connection, static ring version with die-cast threaded ring, UL approval

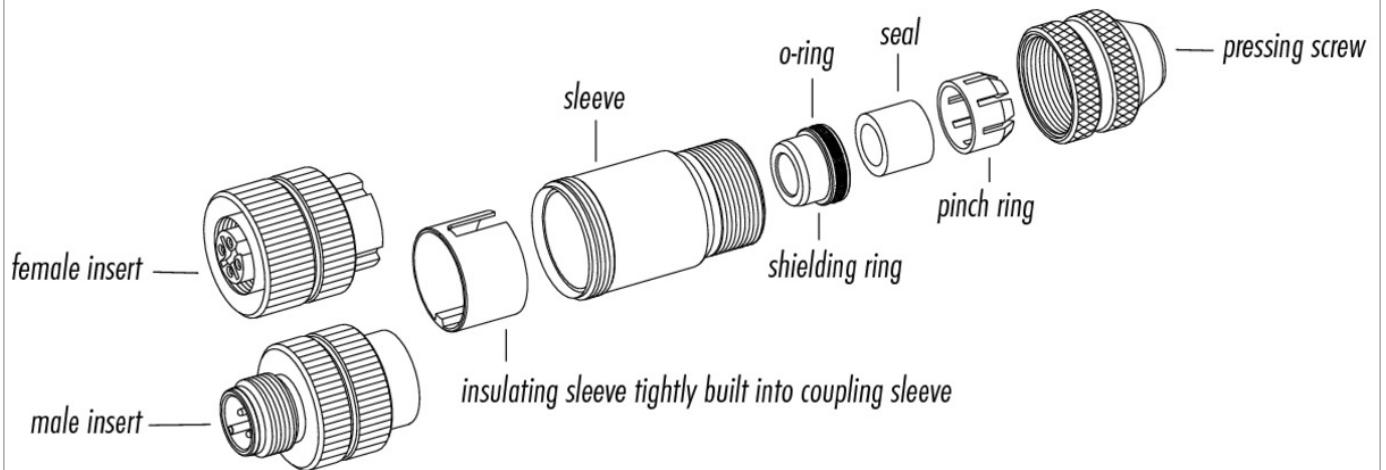
Area

M12-A Series 713

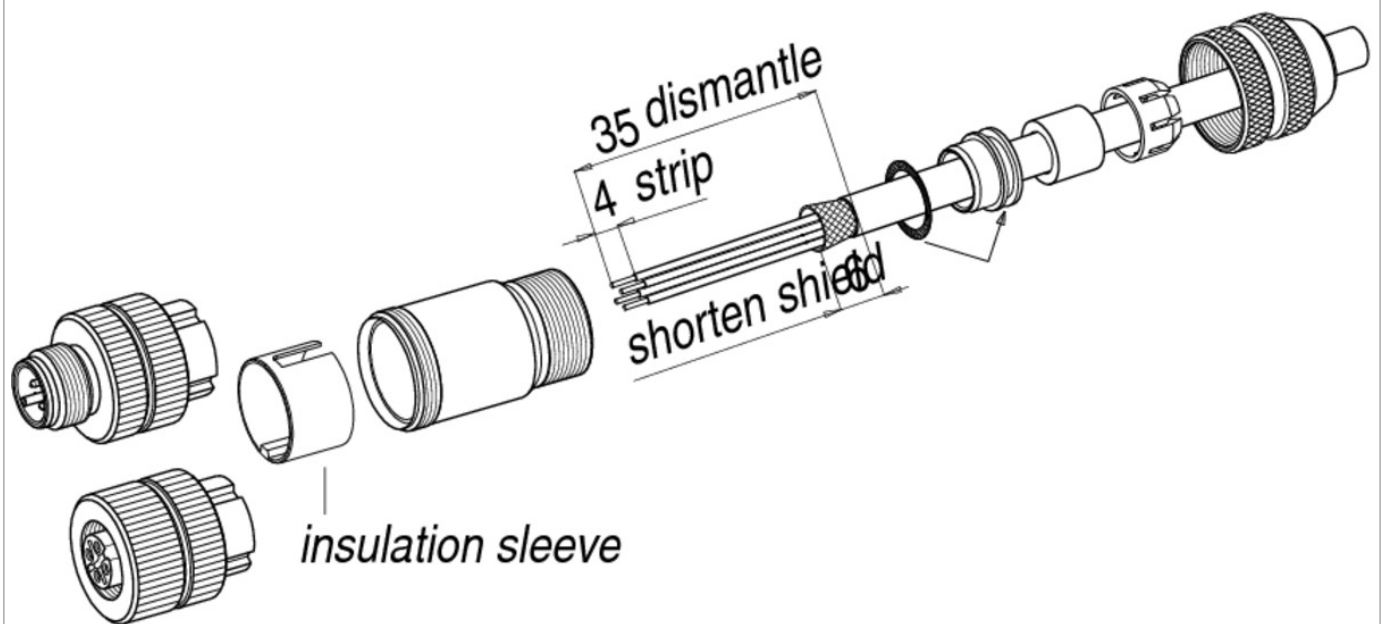
Order number

99 1486 812 08

Component part drawing



Assembly instructions / Panel cut-out



Product description	Contacts: 8, cable outlet: 6-8 mm, female cable connector, shieldable, screw terminal connection, static ring version with die-cast threaded ring, UL approval
Area	M12-A Series 713
Order number	99 1486 812 08

Security notices

The connectors are designed for use in plant, control system and electrical equipment. The end user is responsible for checking whether the connectors are suitable for use in other applications.

Connectors with degree of protection IP 67 and IP 68 are not suitable for use under water. When used outdoors, the connectors must be separately protected against corrosion. For further information about IP degrees of protection refer to 'Technical support' in the Download Centre.

To lock the cable connector to the equipment connector, the threaded ring is tightened until it is 'finger-tight' (approx. 50 cNm).