

Product description **Contacts: 7, female panel mount connector, rectangular flange, crimp**  
 Area **M16 IP67 Series 423/ 723/ 425**  
 Order number **09 0128 370 07**

| Illustration | Scale drawing | Contact arrangement  |  |   |   |   |       |       |   |       |      |   |       |      |   |      |      |   |      |      |   |      |       |   |      |      |
|--------------|---------------|--|--|---|---|---|-------|-------|---|-------|------|---|-------|------|---|------|------|---|------|------|---|------|-------|---|------|------|
|              |               | <table border="1" style="margin-left: auto; margin-right: auto;"> <thead> <tr> <th></th> <th>X</th> <th>Y</th> </tr> </thead> <tbody> <tr> <td>1</td> <td>-1,75</td> <td>-3,03</td> </tr> <tr> <td>2</td> <td>-3,50</td> <td>0,00</td> </tr> <tr> <td>3</td> <td>-1,75</td> <td>3,03</td> </tr> <tr> <td>4</td> <td>1,75</td> <td>3,03</td> </tr> <tr> <td>5</td> <td>3,50</td> <td>0,00</td> </tr> <tr> <td>6</td> <td>1,75</td> <td>-3,03</td> </tr> <tr> <td>7</td> <td>0,00</td> <td>0,00</td> </tr> </tbody> </table> |  | X | Y | 1 | -1,75 | -3,03 | 2 | -3,50 | 0,00 | 3 | -1,75 | 3,03 | 4 | 1,75 | 3,03 | 5 | 3,50 | 0,00 | 6 | 1,75 | -3,03 | 7 | 0,00 | 0,00 |
|              | X             | Y  |  |   |   |   |       |       |   |       |      |   |       |      |   |      |      |   |      |      |   |      |       |   |      |      |
| 1            | -1,75         | -3,03  |  |   |   |   |       |       |   |       |      |   |       |      |   |      |      |   |      |      |   |      |       |   |      |      |
| 2            | -3,50         | 0,00   |  |   |   |   |       |       |   |       |      |   |       |      |   |      |      |   |      |      |   |      |       |   |      |      |
| 3            | -1,75         | 3,03   |  |   |   |   |       |       |   |       |      |   |       |      |   |      |      |   |      |      |   |      |       |   |      |      |
| 4            | 1,75          | 3,03   |  |   |   |   |       |       |   |       |      |   |       |      |   |      |      |   |      |      |   |      |       |   |      |      |
| 5            | 3,50          | 0,00   |  |   |   |   |       |       |   |       |      |   |       |      |   |      |      |   |      |      |   |      |       |   |      |      |
| 6            | 1,75          | -3,03  |  |   |   |   |       |       |   |       |      |   |       |      |   |      |      |   |      |      |   |      |       |   |      |      |
| 7            | 0,00          | 0,00   |  |   |   |   |       |       |   |       |      |   |       |      |   |      |      |   |      |      |   |      |       |   |      |      |

**You can find the assembly instructions on the next page.**

## Technical data

### General values

|                          |   |
|--------------------------|---|
| Connector design         | female panel mount connector                      |
| Connector locking system | bolted  |
| Termination              | crimp (Crimp contacts must be ordered separately) |
| Wire gauge (mm)          | see crimp contacts under accessories              |
| Upper limit temperature  | 100 °C  |
| Lower limit temperature  | -40 °C  |

### Cable data

|            |    |
|------------|----|
| Approval 1 | UL |
|------------|----|

### Electrical values

|                           |                           |
|---------------------------|---------------------------|
| Rated current (40 °C)     | 5 A                       |
| Rated voltage             | 60 V                      |
| Rated impulse voltage     | 500 V                     |
| Pollution degree          | 1                         |
| Overvoltage category      | I                         |
| Insulating material group | III                       |
| Volume resistivity        | ≤ 5 mΩ                    |
| Insulation resistance     | ≥ 10 <sup>10</sup> Ω      |
| EMC compliance            | Shielding is not possible |
| Degree of protection      | IP67                      |
| Mechanical operation      | > 500 Mating cycles       |

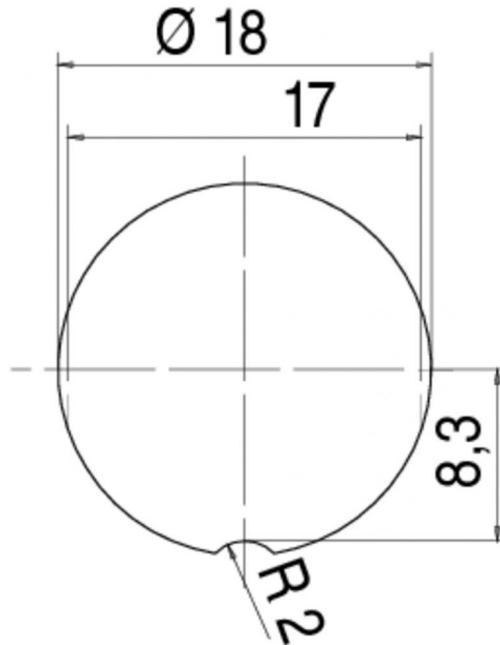
### Material

|                       |  |
|-----------------------|--|
| Contact material      | depending on crimp contact (accessory) |
| Contact body material | PBT (UL 94 V-0)                        |
| Housing material      | Zinc die-cast nickel-plated            |

Product description **Contacts: 7, female panel mount connector, rectangular flange, crimp**

Area **M16 IP67 Series 423/ 723/ 425**  
Order number **09 0128 370 07**

Assembly instructions / Panel cut-out



|                     |   |
|---------------------|---|
| Product description | <b>Contacts: 7, female panel mount connector, rectangular flange, crimp</b> |
| Area                | <b>M16 IP67 Series 423/ 723/ 425</b>  |
| Order number        | <b>09 0128 370 07</b>   |

## Security notices

The connectors are designed for use in plant, control system and electrical equipment. The end user is responsible for checking whether the connectors are suitable for use in other applications. Connectors with degree of protection IP 67 and IP 68 are not suitable for use under water. When used outdoors, the connectors must be separately protected against corrosion. For further information about IP degrees of protection refer to 'Technical support' in the Download Centre.