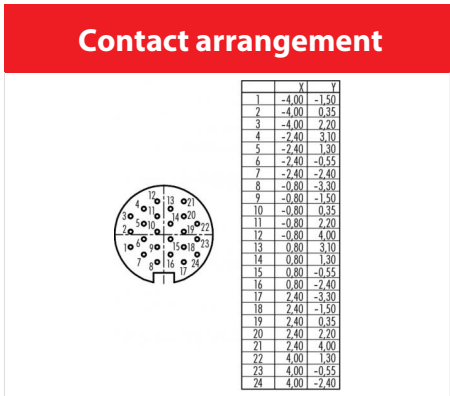
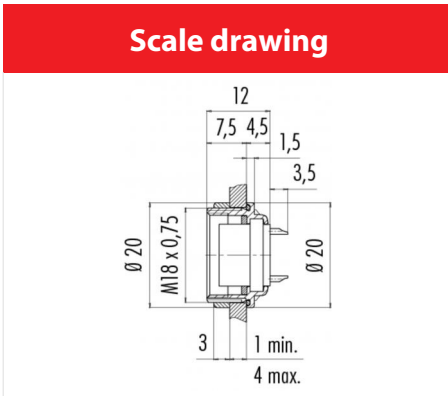


Product description	Contacts: 24, female panel mount connector, solder, screwed from front, 24 contacts, gold plated contacts
Area	M16 IP67 Series 423/ 723/ 425
Order number	09 0498 80 24



You can find the assembly instructions on the next page.

Technical data

General values

Connector design	female panel mount connector
Connector locking system	bolted
Termination	solder
Wire gauge (mm)	0,14 mm ²
Wire gauge (AWG)	26
Upper limit temperature	95 °C
Lower limit temperature	-40 °C

Cable data

Approval 1	UL
------------	----

Electrical values

Rated current (40 °C)	1 A
Rated voltage	60 V
Rated impulse voltage	500 V
Pollution degree	1
Overvoltage category	I
Insulating material group	III
Volume resistivity	≤ 3 mΩ
Insulation resistance	≥ 10 ¹⁰ Ω
EMC compliance	Shielding is not possible
Degree of protection	IP67
Mechanical operation	> 500 Mating cycles

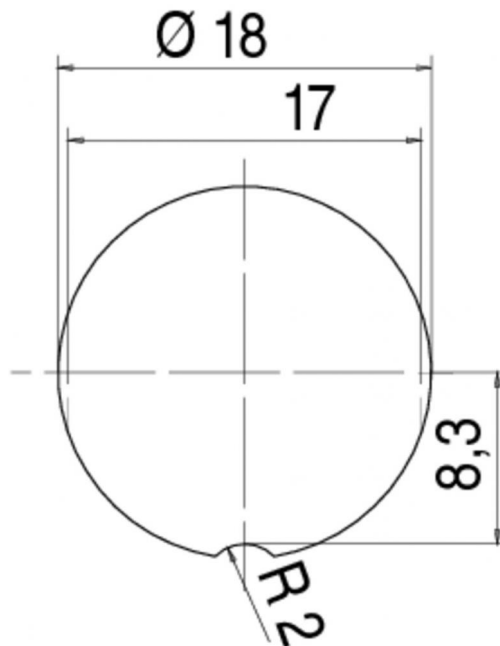
Material

Contact material	CuSn (bronze)
Contact plating	Au (gold)
Contact body material	PBT (UL 94 V-0)
Housing material	Zinc die-cast nickel-plated

Product description **Contacts: 24, female panel mount connector, solder, screwed from front, 24 contacts, gold plated contacts**

Area **M16 IP67 Series 423/ 723/ 425**
Order number **09 0498 80 24**

Assembly instructions / Panel cut-out



Product description	Contacts: 24, female panel mount connector, solder, screwed from front, 24 contacts, gold plated contacts
Area	M16 IP67 Series 423/ 723/ 425
Order number	09 0498 80 24

Security notices

The connectors are designed for use in plant, control system and electrical equipment. The end user is responsible for checking whether the connectors are suitable for use in other applications. Connectors with degree of protection IP 67 and IP 68 are not suitable for use under water. When used outdoors, the connectors must be separately protected against corrosion. For further information about IP degrees of protection refer to 'Technical support' in the Download Centre.