

Product description

Contacts: 12, female panel mount connector, rectangular flange, with single wires, metal housing, AWG24

Area

M12-A Series 713/763

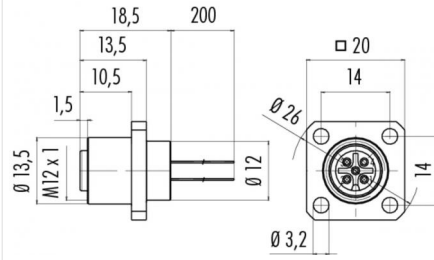
Order number

76 0932 0111 00012-0200

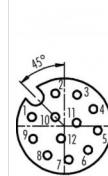
Illustration



Scale drawing



Contact arrangement



	X	Y
1	-2,80	0,78
2	-0,78	2,80
3	1,09	2,69
4	2,51	1,46
5	2,88	-0,37
6	2,05	-2,05
7	0,37	-2,88
8	-1,46	-2,51
9	-2,69	-1,09
10	-0,78	0,78
11	1,06	0,29
12	-0,29	-1,06

- 1 braun/brown
- 2 blau/blue
- 3 weiß/white
- 4 grün/green
- 5 rosa/pink
- 6 gelb/yellow
- 7 schwarz/black
- 8 grau/grey
- 9 rot/red
- 10 violett/purple
- 11 grau/rosa/grey/pink
- 12 rot/blau/red/blue

Geschirmte Versionen: Schirm auf Gehäuse / Shielded versions: shield on housing

You can find the assembly instructions on the next page.

Technical data

General values

Connector design female panel mount connector
 Connector locking system bolted
 Termination single wires UL 1007/1569
 Wire gauge (mm) (0,14 mm²)
 Wire gauge (AWG) 26
 Upper limit temperature 85 °C
 Lower limit temperature -40 °C

Cable data

Approval 1 UL

Electrical values

Rated current (40 °C) 1,5 A (2 A UL)
 Rated voltage 30 V
 Rated impulse voltage 500 V
 Pollution degree 3
 Overvoltage category II
 Insulating material group III
 Volume resistivity ≤ 3 mΩ
 Insulation resistance >10⁸Ω
 EMC compliance not shielded
 Degree of protection IP40
 Mechanical operation > 100 Mating cycles

Material

Contact material CuZn (brass)
 Contact plating Au (gold)
 Contact body material PA
 Housing material CuZn (Messing vernickelt)

Product description

Contacts: 12, female panel mount connector, rectangular flange, with single wires, metal housing, AWG24

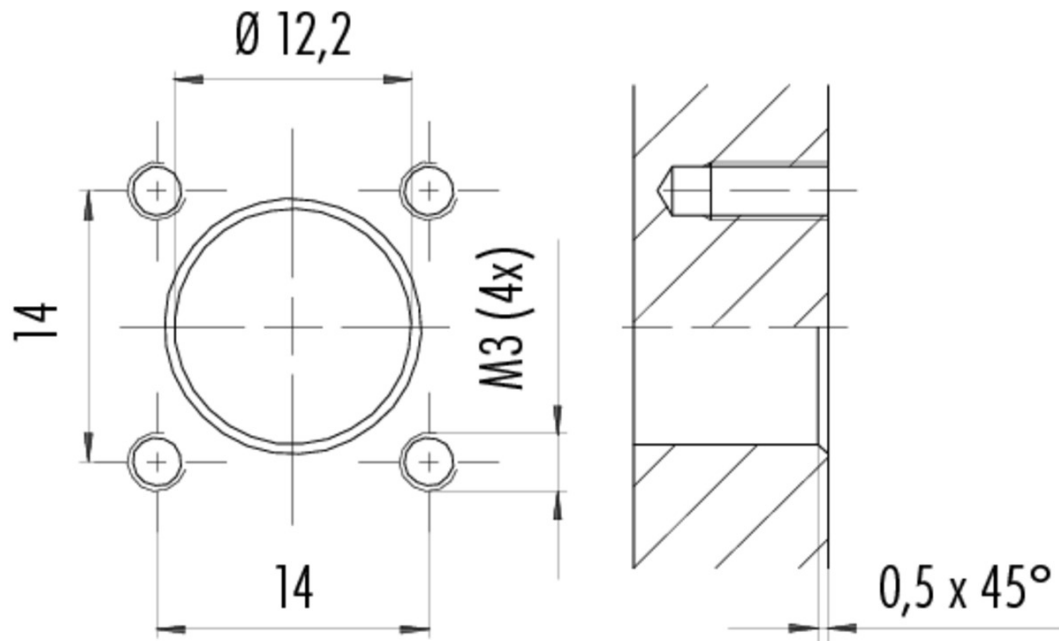
Area

M12-A Series 713/763

Order number

76 0932 0111 00012-0200

Assembly instructions / Panel cut-out



Product description **Contacts: 12, female panel mount connector, rectangular flange, with single wires, metal housing, AWG24**

Area **M12-A Series 713/763**
Order number **76 0932 0111 00012-0200**

Security notices

The connectors are designed for use in plant, control system and electrical equipment. The end user is responsible for checking whether the connectors are suitable for use in other applications.