

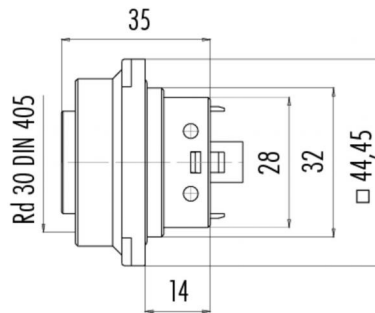
Product description **Contacts: 12+PE, female panel mount connector**

Area **RD30 Power Series 694**
 Order number **99 0720 00 13**

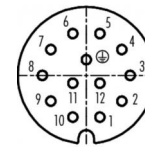
Illustration



Scale drawing

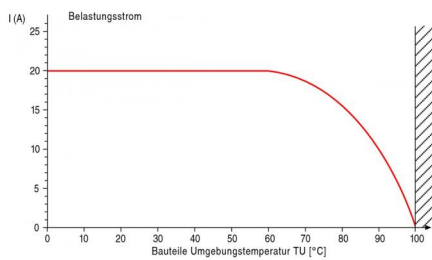


Contact arrangement



	X	Y
1	2,38	-7,33
2	6,23	-4,53
3	7,70	0,00
4	6,23	4,53
5	2,38	7,33
6	-2,38	7,33
7	-6,23	4,53
8	-7,70	0,00
9	-6,23	-4,53
10	-2,38	-7,33
11	-2,38	-1,37
12	2,38	-1,37
⊕	0,00	2,74

Derating curve



You can find the assembly instructions on the next page.

Technical data

General values

Connector design	Flanschdose
Connector locking system	schraub
Termination	löten
Wire gauge (mm)	1,00 mm ²
Wire gauge (AWG)	18
Upper limit temperature	100 °C
Lower limit temperature	-40 °C

Electrical values

Rated voltage	250 V
Rated impulse voltage	4000 V
Pollution degree	3
Overvoltage category	III
Insulating material group	III
Rated current (40 °C)	6 A
Volume resistivity	≤ 5 mΩ
EMC compliance	nicht schirmbar
Degree of protection	IP65
Mechanical operation	> 500 Steckzyklen

Material

Contact material	CuSn (bronze)
Contact plating	Ag (Silber)
Contact body material	PA (UL 94 HB)

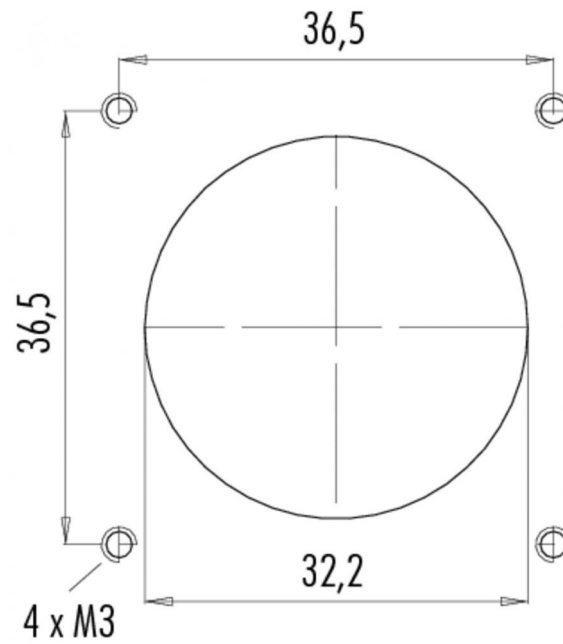
Product description

Contacts: 12+PE, female panel mount connector

Area
Order number

RD30 Power Series 694
99 0720 00 13

Assembly instructions / Panel cut-out



Product description **Contacts: 12+PE, female panel mount connector**

Area **RD30 Power Series 694**
Order number **99 0720 00 13**

Sicherheitshinweise

The connector must not be connected or separated under load. Non-observance and incorrect use can result in personal injury.

The connectors are designed for use in plant, control system and electrical equipment. The end user is responsible for checking whether the connectors are suitable for use in other applications.

Connectors with degree of protection IP 67 and IP 68 are not suitable for use under water. When used outdoors, the connectors must be separately protected against corrosion. For further information about IP degrees of protection refer to 'Technical support' in the Download Centre.