

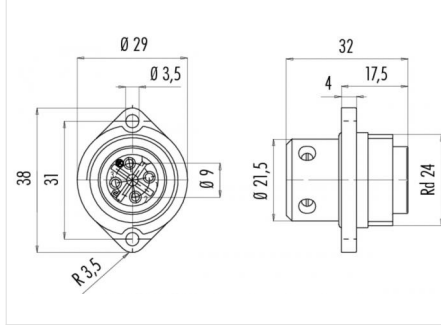
Product description **Contacts: 3+PE, male panel mount connector, screw**

Area **RD24 Power Series 692/693**
 Order number **09 0211 00 04**

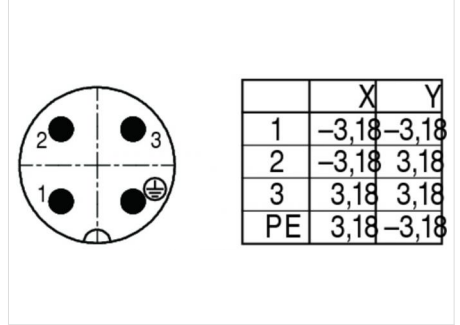
Illustration



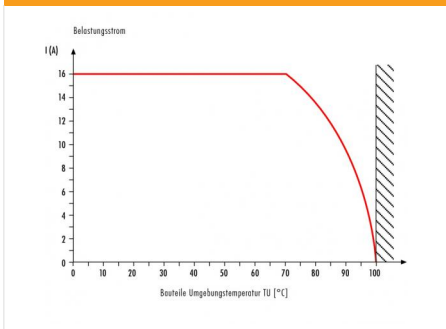
Scale drawing



Contact arrangement



Derating curve



You can find the assembly instructions on the next page.

Technical data

General values

Connector design	Flanschstecker
Connector locking system	schraub
Termination	schraubklemm
Wire gauge (mm)	max. 2,5 mm ²
Wire gauge (AWG)	max. 14
Upper limit temperature	100 °C
Lower limit temperature	-40 °C

Electrical values

Rated voltage	400 V
Rated impulse voltage	6000 V
Pollution degree	3
Overvoltage category	III
Insulating material group	III
Rated current (40 °C)	16 A
Volume resistivity	≤ 5 mΩ
EMC compliance	nicht schirmbar
Degree of protection	IP67
Mechanical operation	> 500 Steckzyklen

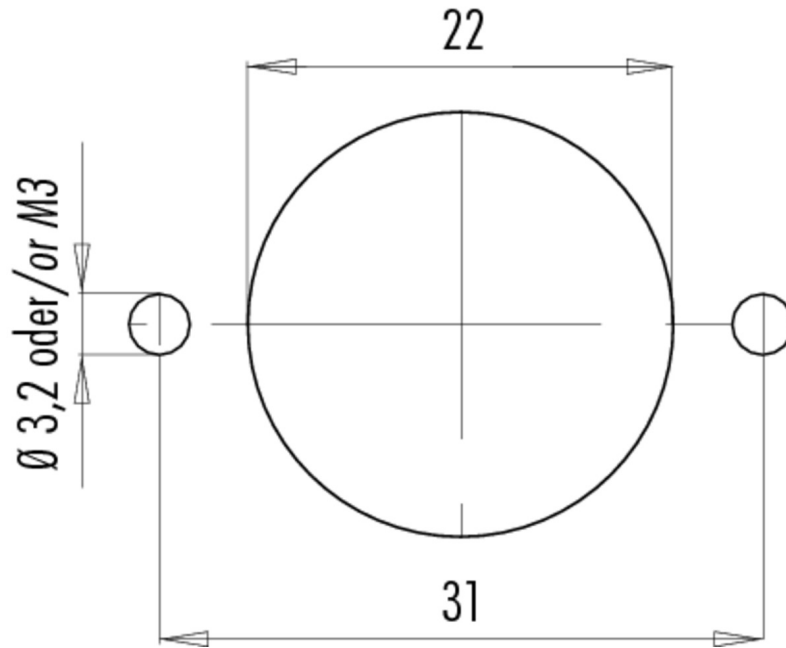
Material

Contact material	CuZn (brass)
Contact plating	Ag (Silber)
Contact body material	PBT

Product description **Contacts: 3+PE, male panel mount connector, screw**

Area **RD24 Power Series 692/693**
Order number **09 0211 00 04**

Assembly instructions / Panel cut-out



Product description **Contacts: 3+PE, male panel mount connector, screw**

Area **RD24 Power Series 692/693**
Order number **09 0211 00 04**

Sicherheitshinweise

The connector must not be connected or separated under load. Non-observance and incorrect use can result in personal injury.

The connectors are designed for use in plant, control system and electrical equipment. The end user is responsible for checking whether the connectors are suitable for use in other applications.

Connectors with degree of protection IP 67 and IP 68 are not suitable for use under water. When used outdoors, the connectors must be separately protected against corrosion. For further information about IP degrees of protection refer to 'Technical support' in the Download Centre.