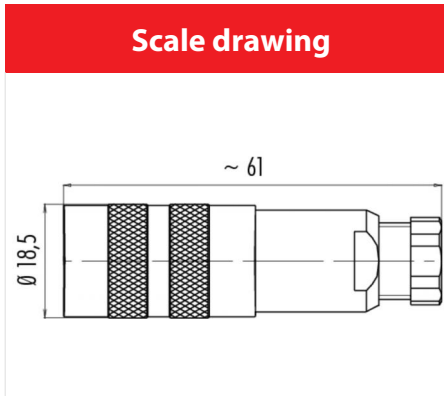


Product description	<b>Contacts: 19, female cable connector with shielding ring, shieldable, cable outlet 4- 6 mm, gold plated contacts, UL approval</b>
Area	<b>M16 IP67 Series 423</b>
Order number	<b>99 5462 15 19</b>



**Contact arrangement**

	X	Y
A	2,50	-4,00
B	4,00	-2,25
C	4,25	0,00
D	4,00	2,40
E	2,30	4,00
F	0,00	4,25
G	-2,30	4,00
H	-4,00	2,40
I	-4,25	0,00
K	-4,00	-2,25
L	-2,50	-4,00
M	0,95	-2,40
N	2,40	-0,95
O	2,40	0,95
P	0,95	2,40
R	-0,95	2,40
S	-2,40	0,95
T	-2,40	-0,95
U	-0,95	-2,40

You can find the component part drawing and assembly instructions on the next page.

## Technical data

### General values

Connector design	female cable connector
Connector locking system	bolted
Termination	solder
Wire gauge (mm)	0.25 mm <sup>2</sup>
Wire gauge (AWG)	24
Cable outlet	4,0 - 6,0 mm
Upper limit temperature	95 °C
Lower limit temperature	-30 °C

### Cable data

Approval 1	UL
------------	----

### Electrical values

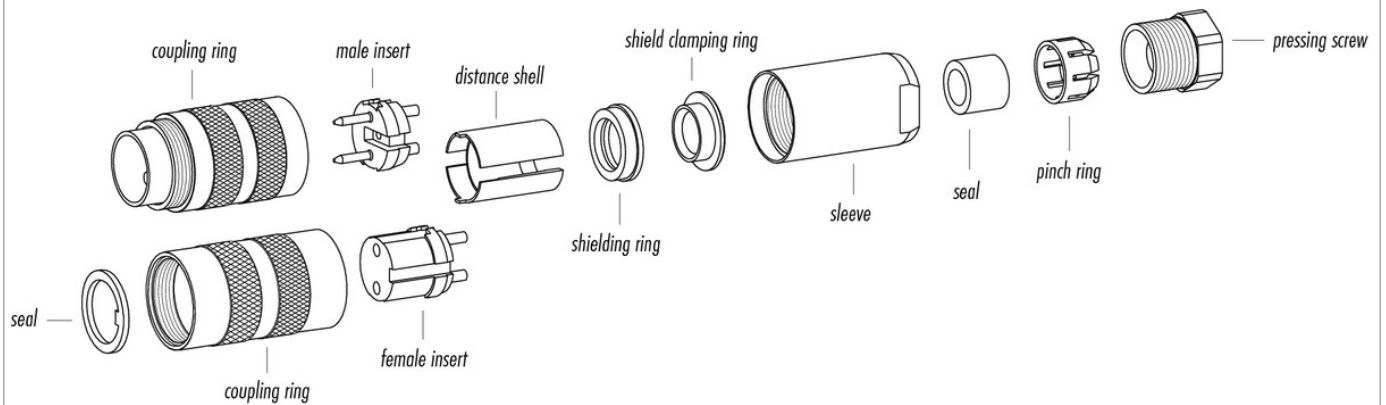
Rated current (40 °C)	3 A
Rated voltage	60 V
Rated impulse voltage	500 V
Pollution degree	1
Overvoltage category	I
Insulating material group	III
Volume resistivity	≤ 3 mΩ
Insulation resistance	≥ 10 <sup>10</sup> Ω
EMC compliance	shieldable
Degree of protection	IP67
Mechanical operation	> 500 Mating cycles

### Material

Contact material	CuSn (bronze)
Contact plating	Au (gold)
Contact body material	PBT (UL 94 V-0)

Product description	<b>Contacts: 19, female cable connector with shielding ring, shieldable, cable outlet 4- 6 mm, gold plated contacts, UL approval</b>
Area	<b>M16 IP67 Series 423</b>
Order number	<b>99 5462 15 19</b>

Component part drawing

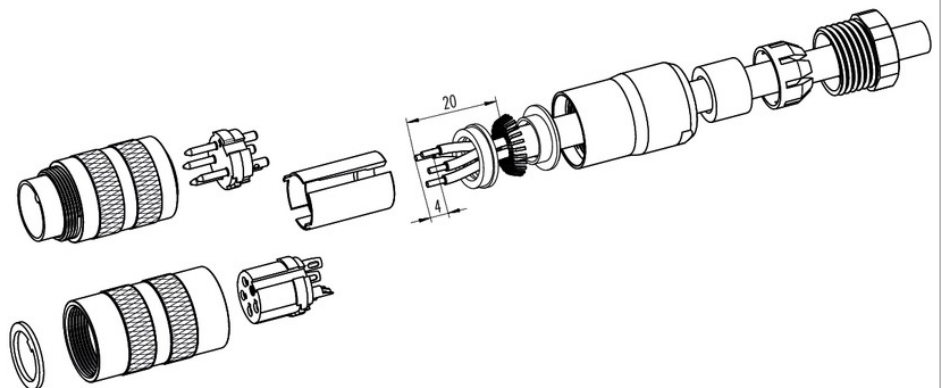


Assembly instructions / Panel cut-out

**Straight version**

(Version with shield clamping ring)

1. Bead pressing screw, pinch ring, seal, distance shell and first shield clamping ring on cable.
2. Strip wires, widen shield and bead second shield clamping ring.
3. Solder wires, snap distance shell, push the two shield clamping rings together and cut off projecting shielding braid.
4. Assemble remaining parts according to picture.



Product description	<b>Contacts: 19, female cable connector with shielding ring, shieldable, cable outlet 4- 6 mm, gold plated contacts, UL approval</b>
Area	<b>M16 IP67 Series 423</b>
Order number	<b>99 5462 15 19</b>

## Security notices

The connectors are designed for use in plant, control system and electrical equipment. The end user is responsible for checking whether the connectors are suitable for use in other applications.

Connectors with degree of protection IP 67 and IP 68 are not suitable for use under water. When used outdoors, the connectors must be separately protected against corrosion. For further information about IP degrees of protection refer to 'Technical support' in the Download Centre.

To lock the cable connector to the equipment connector, the threaded ring is tightened until it is 'finger-tight' (approx. 50 cNm).